

Subminiature Toggle Switches



2

Specifications:

Contact rating:	max. 48 V AC/DC, 0.4 VA / max. 50 mA min. 20 mV AC/DC, 1 μ A
Contact resistance:	< 50 m Ω
Insulation resistance:	> 1000 M Ω
Dielectric strength:	500 V, 50 Hz for the duration of 1 minute
Operating temperature:	-40 °C to +85 °C
Electrical life:	minimum 40 000 operations
Contacts:	phosphor-bronze, gold-plated over nickel barrier
Terminals:	phosphor-bronze, gold-plated over nickel barrier
Protection:	IP 67
Material:	case: PBT meets UL 94 V-0, washable bushing/frame: stainless steel switch-support: brass, tin-plated actuator: brass, chromium-plated
Mounting:	on pc-board
Soldering conditions:	wave-soldering – max.: 5 \pm 1 sec, 260 °C \pm 5 °C

UL recognized components on request.



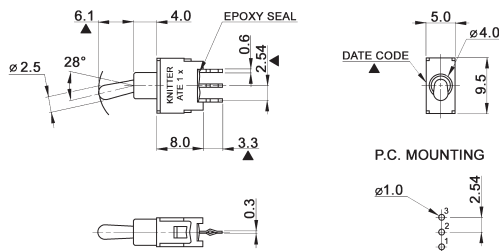
Subminiature Toggle Switches

Models: Switching functions: the closed contacts are opposite to the lever position;
Switching functions F / H: when looking at the brand name on the right hand side

washable

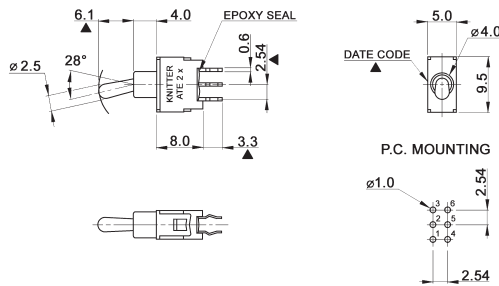
SPDT

ATE 1 D	on	-	on
ATE 1 E	on	off	on
ATE 1 F	mom	-	on
ATE 1 G	mom	off	mom
ATE 1 H	mom	off	on



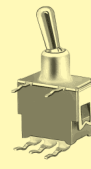
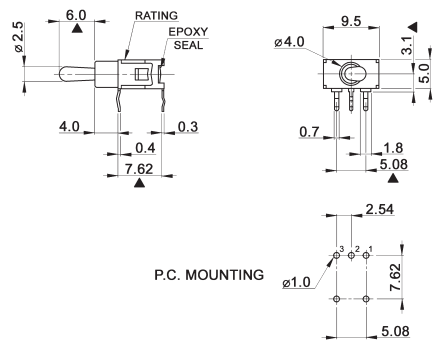
DPDT

ATE 2 D	on	-	on
ATE 2 E	on	off	on
ATE 2 F	mom	-	on
ATE 2 G	mom	off	mom
ATE 2 H	mom	off	on



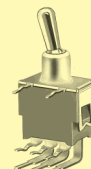
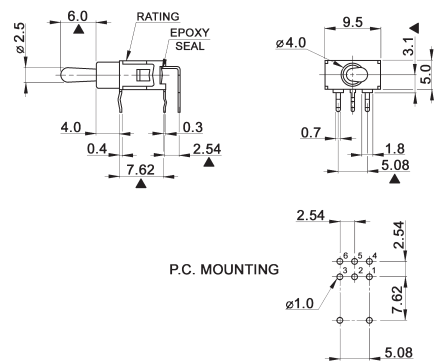
SPDT

ATE 1 D - RA	on	-	on
ATE 1 E - RA	on	off	on
ATE 1 F - RA	mom	-	on
ATE 1 G - RA	mom	off	mom
ATE 1 H - RA	mom	off	on



DPDT

ATE 2 D - RA	on	-	on
ATE 2 E - RA	on	off	on
ATE 2 F - RA	mom	-	on
ATE 2 G - RA	mom	off	mom
ATE 2 H - RA	mom	off	on



UL recognized components on request.

Subminiature Toggle Switches waterproof



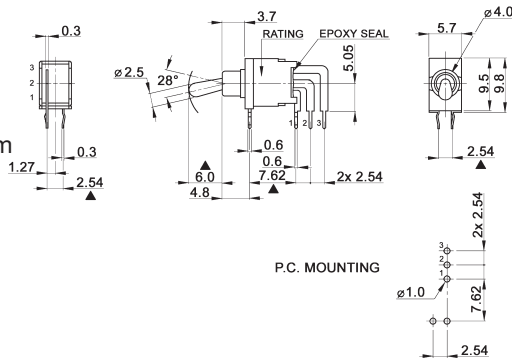
2

Specifications: see page 22

Models: Switching functions the closed contacts are opposite to the lever position;
Switching functions F/H: when looking at the brand name on the right hand side.

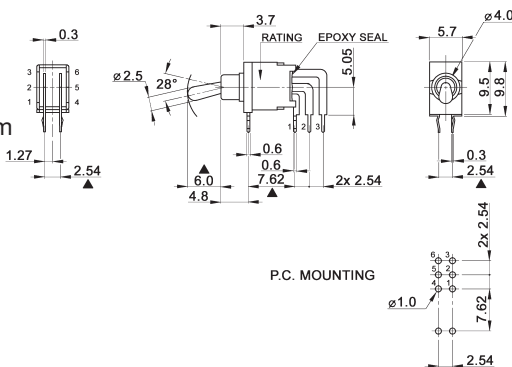
SPDT

ATE 1 D - VM	on	-	on
ATE 1 E - VM	on	off	on
ATE 1 F - VM	mom	-	on
ATE 1 G - VM	mom	off	mom
ATE 1 H - VM	mom	off	on



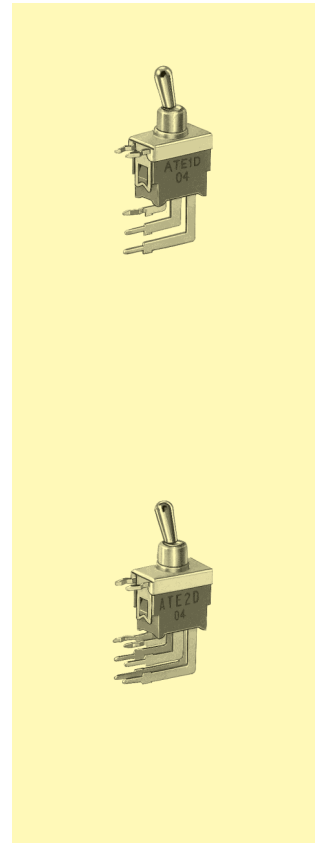
DPDT

ATE 2 D - VM	on	-	on
ATE 2 E - VM	on	off	on
ATE 2 F - VM	mom	-	on
ATE 2 G - VM	mom	off	mom
ATE 2 H - VM	mom	off	on



Accessories: see page 22.

washable



UL recognized components on request.